



## Technical specifications

### Q-Perimeter Lights

Light Color:	White
Light Source:	LED
IP-Index:	IP67
Enclosure:	Aluminium, powder coated
Dimensions:	18 x 16 x 24 cm ( L x W x H )
Mounting:	Frangible
Input Voltage:	100-240 Vac
Cable:	H07RN-F 3x1, (1,5 meter)
Consumption:	18 Watt /peak

## In compliance with

ICAO annex 14

## Technical Background

Q Aviation stands for simplicity but high functionality in their products. The Q-Approach Light is the main product of this line of design strategy.

## Lighting assemblies

The Q-Approach light can be used for all heliports that are In compliance with ICAO annex 14, volume 2.

The Q-approach light is available in several configurations such as frangible and rigid mounting and 230Vac or 12/24Vdc power supply.

## Operation

An approach lighting system should be provided at a heliport where it is desirable and practicable to indicate a preferred approach direction.

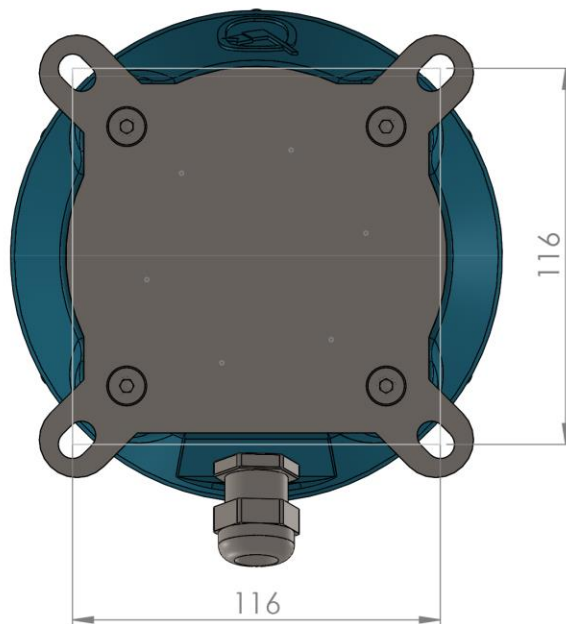
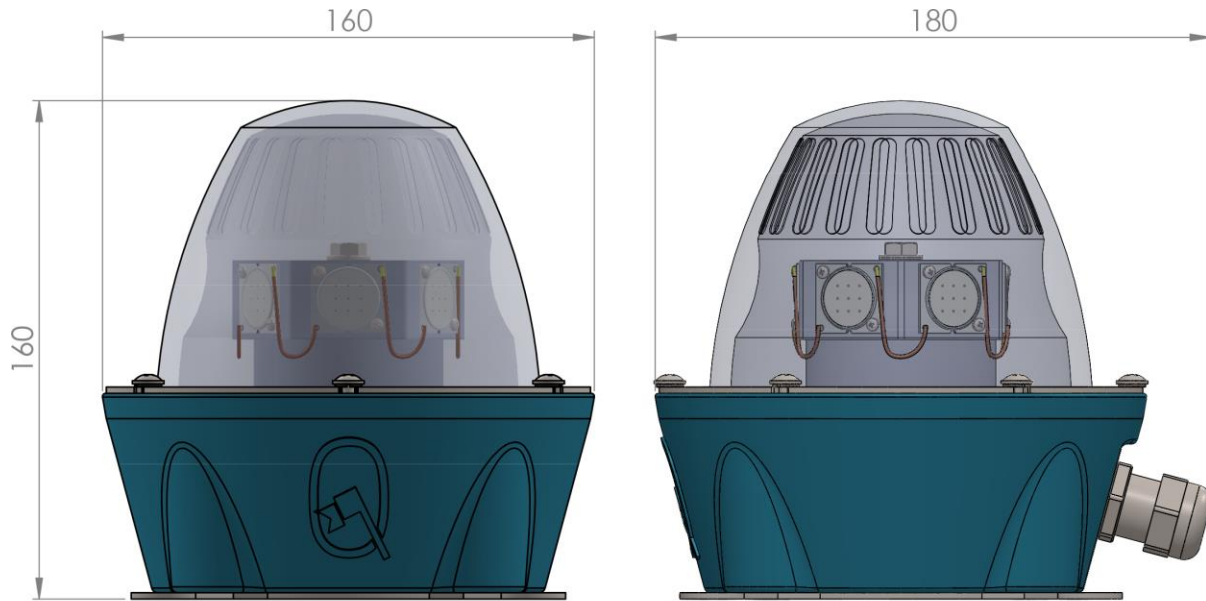
The approach lighting system shall be located in a straight line along the preferred direction of the approach.

The steady lights are omnidirectional white LED light.



## General dimensions

In the image below the general dimensions and mounting dimensions are displayed.



## Order codes

The following order codes are available:

Order Code	Configuration
<b>Q1510</b>	Q-Approach Light 100-240 Vac Frangible
<b>Q1512</b>	Q-Approach Light 100-240 Vac Rigid
<b>Q1501</b>	Q-Approach Light 12-24 Vdc Rigid
<b>Q1511</b>	Q-Approach Light 12-24 Vdc Frangible