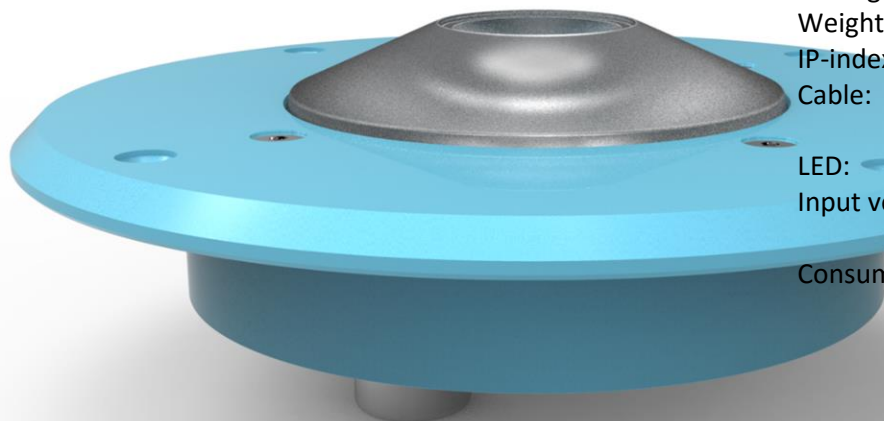




Technical specifications

Q-Inset Light

Enclosure:	Aluminum, powder coated RAL 5020
Light color:	Red
Dimensions:	20 x 20 x 8,5 cm (L x W x H)
Packaging:	25 x 25 x 15 cm (L x W x H)
Weight:	2,8 kg
IP-index:	IP67
Cable:	H07RN-F 3x1 (Factory standard 1,5 meter)
LED:	5 Watt
Input voltage:	100-240 Vac 12-24 Vdc
Consumption:	5 Watt/peak



Technical Background

Q Aviation stands for simplicity but high functionality in their products. The Q-Perimeter Light is the main product of this line of design strategy.

Lighting assemblies

The Q-Inset Light is the light for all your onshore and offshore flushmount facilities.

In compliance with the CAP437 regulation, makes the Q-Inset light a perfect perimeter, obstruction or taxi light.

The Q-Inset light is available in several configurations such as blue light, red light, green light, white light, 230 Vac and 12/24Vdc. And as a complete set with system controller that can adjust the intensities according to the customers specifications.

In compliance with

CAP437
ICAO annex 14
AC150/5345-43G
CAP168

Operation

Inset lights, spaced at intervals of not more than 3 m, should be fitted around the perimeter of the landing area of the helideck.

For any helideck where the D-value is greater than 16.00 m, the perimeter lights should not exceed a height of 25 cm above the surface of the helideck.



Info@q-avi.com

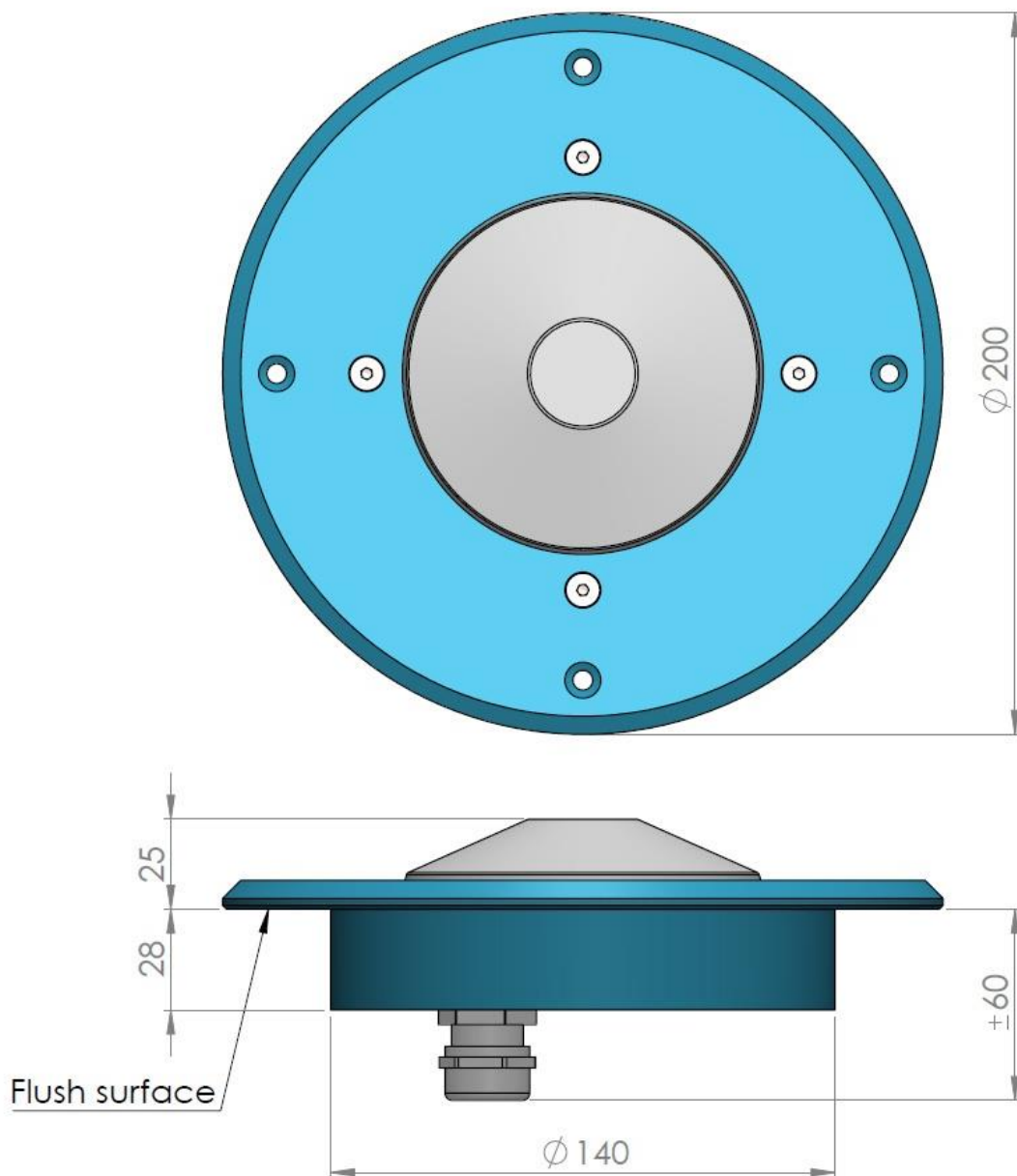
Dam 8
1012NP
Amsterdam
The Netherlands

Version 1.1
date: 01-06-2016



General dimensions

In the image below the general dimensions and mounting dimensions are displayed.



Order codes

The following order codes are available:

Order Code	Configuration
Q1701	Inset Perimeter, Green 230 Vac
Q1702	Inset Beacon, White 230 Vac
Q1703	Inset Perimeter, Green 12/24 Vdc
Q1704	Inset Beacon, White 12/24 Vdc
Q1705	Inset Obstruction, Red 230 Vac
Q1706	Inset Obstruction, Red 12/24 Vdc
Q1710	System, minimum 18 units

