



Technical specifications

Q-Perimeter Lights

Light Color:	Green
Light Source:	LED
IP-Index:	IP67
Enclosure:	Aluminum, powder coated
Dimensions:	18 x 16 x 24 cm (L x W x H)
Mounting:	Frangible
Input Voltage:	100-240 Vac
Cable:	H07RN-F 3x1, (1,5 meter)
Consumption:	18 Watt /peak

In compliance with

CAP437
ICAO annex 14

Technical Background

Q Aviation stands for simplicity but high functionality in their products. The Q-Perimeter Light is the main product of this line of design strategy.

Lighting assemblies

The Q-Perimeter Light is the 30cd perimeter light for all heliports. In compliance with ICAO annex 14, volume 2.

The Q-Perimeter light is available in several configurations such as frangible, rigid and pole mounted. The 230Vac and 12/24Vdc are optional.

Operation

The Frangible leg of the Perimeter light makes this perimeter light ideal for any Heliport.

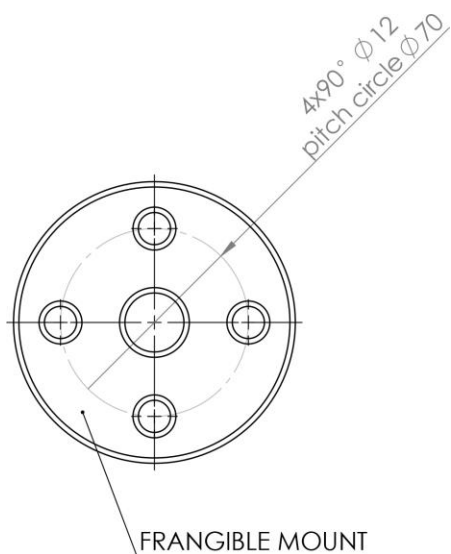
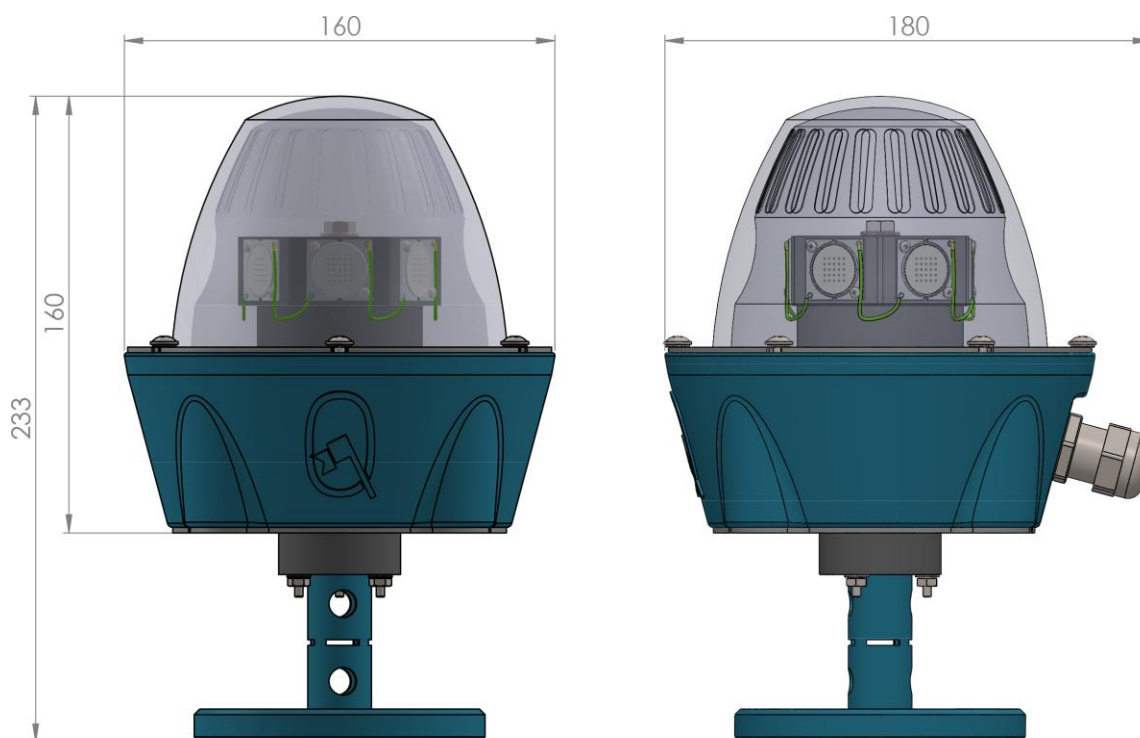
When frangibility is not applicable on the project, the Perimeter light can be installed on a rigid baseplate or on a pole mount.

This makes the Q-Aviation Q-Heliport perimeter light extra flexible.



General dimensions

In the image below the general dimensions and mounting dimensions are displayed.



Order codes

Q10



Q10: Perimeter Light

XX



00: 100 – 240 Vac
01: 12 – 24 Vdc

e.g.: Q1001

