

Technical specifications

Q-Heliport Beacon Light unit

Application	Heliport
Zone:	Zone 2
Light Color	White (6000k)
Light Source	LED
Flash Sequence:	Morse H
IP-Index:	IP67
Enclosure	Aluminum, powder coated
Dimensions	18 x 16 x 16 cm (L x W x H)
Mounting	Rigid
Input Voltage	100-240 Vac
Cable:	H07RN-F 5x1
Consumption	100Watt

Q- Heliport Beacon Light controller unit

Enclosure:	Steel Cabinet
Input voltage:	100-240 Vac
Dimensions:	40 x 34 x 15 cm (L x W x H)

In compliance with

ICAO annex 14, Volume 2

Technical Background

Q Aviation stands for simplicity but high functionality in their products. The Q-Beacon light is one of the main product of this line of design strategy.

Lighting assemblies

The Q-beacon light system is to indicate the location of the helideck, heliport or heliplatform.

The lighting system is dimmable to avoid dazzling during the final stages of the approach and landing.

The flashing pattern is according to Figure 5-8 in ICAO Heliport beacon flash characteristics.

Operation

The heliport beacon shall be located on or adjacent to the heliport preferably at elevated position and so that it does not dazzle a pilot at short range.

Where a heliport beacon is likely to dazzle pilots at short range, it may be switched off during the final stages of the approach and landing.

The heliport beacon is emitting repeated series of equispaced short duration white flashes in the format of the morse letter 'H'.

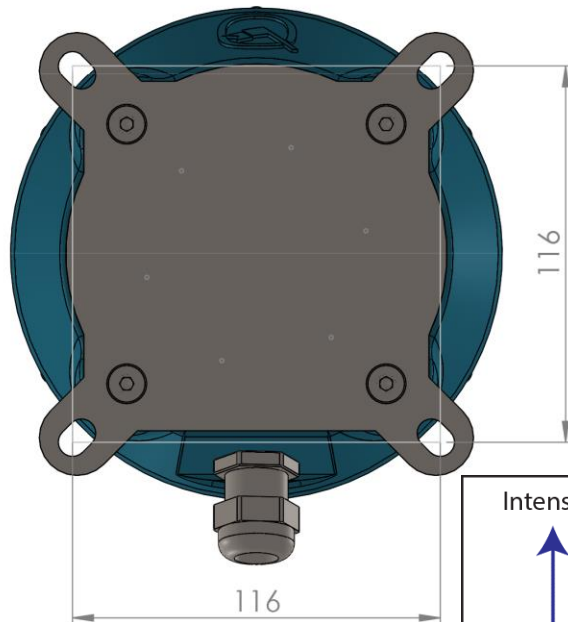
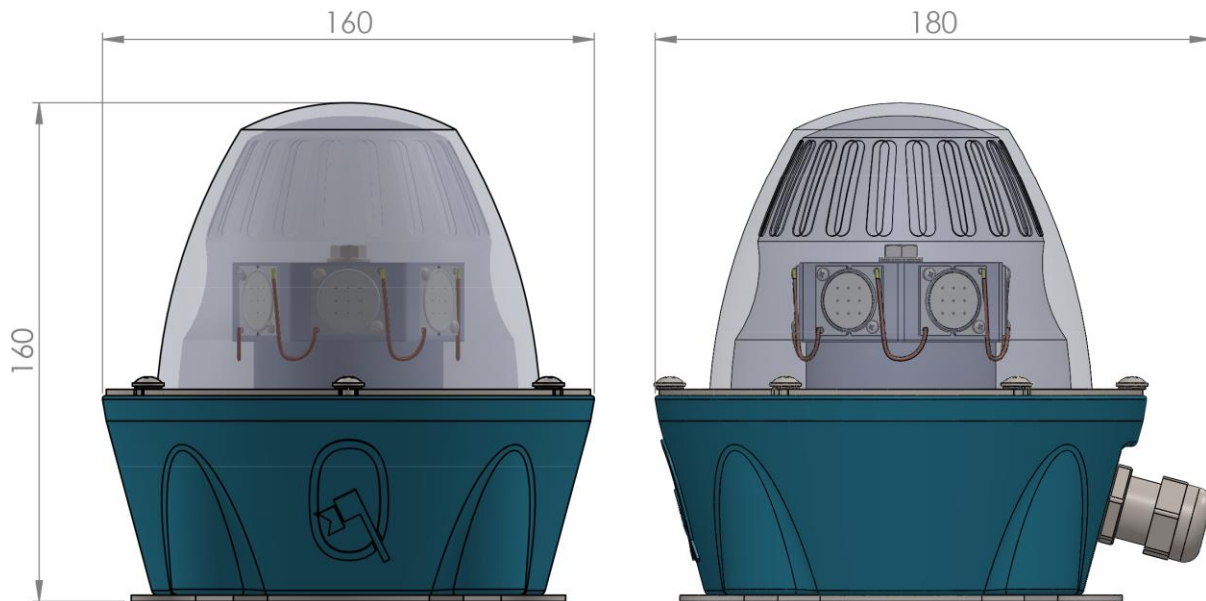
Image Figure 5-8. Heliport beacon flash characteristics, is displayed on the next page.





General dimensions

In the image below the general dimensions and mounting dimensions are displayed.



Order codes

The following order codes are available:

Order Code	Configuration
Q1300	Beacon Light System, 230 Vac

