



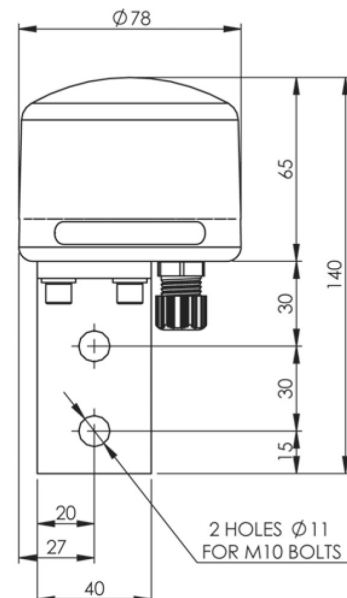
**Standalone GPS module**

The VSU-29 GPS Sync Unit uses the GPS time signal to synchronise the operation of navigation lights.

- 2 sync wires provided: 1 positive and 1 negative transition. This allows the VSU-29 to be used with most brands of navigation lights.
- Easy programming with TVIR programmer
- 246 IALA flash characters and up to 20 factory set custom characters (fixed character mode only)
- No positioning information is generated from the GPS unit
- Can be operated in three ways:
  - **Flash Character** where the same flash character is programmed in the VSU-29 as is programmed in the light
  - **Flash Character Generator** where the VSU-29 acts as a flash generator for a light
  - **Fixed Period** where pulses are sent at a fixed period (for lights synchronization with different flash periods)



<b>Material</b>	PVC and acrylic
<b>Watertightness</b>	IP 68
<b>Input voltage</b>	12V (10-20VDC)
<b>Weight</b>	355g



Specification subject to change or variation without notice - Sept. 2015

GISMAN is the authorized distributor for VEGA products in many countries. For further details, please contact us.

