

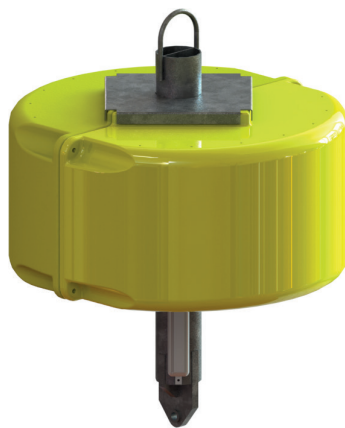
GISMAN mooring buoys are able to match a large range of requirements. The different floats available from 0.8 to 10m³ can provide buoyancy from 12 to 72 kg/cm.

- Custom-made solution according to client requirements
- Polyethylene modular float with colour stained in the mass, UV-stabilized and filled with polystyrene foam (EPS)
- Central structure in painted and/or galvanized steel
- Available with D-link (D), shackle (S) or static «T» (T)

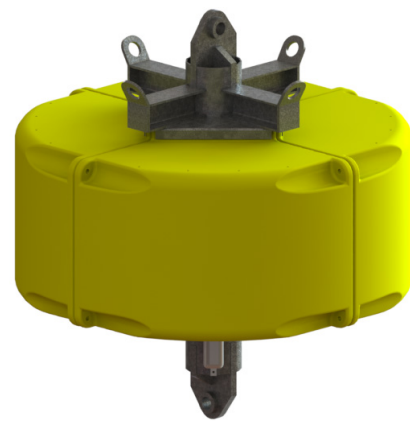
	MB-1400	MB-2000	MB-2500	MB-3000-7.5	MB-3000-10
Float diameter (m)	1.4	2	2.5	3	3
Float volume (m ³)	0.8	3.1	5.25	7.5	10
Float foaming	EPS	EPS	EPS	EPS	EPS
Free board (m)	0.4	0.8	0.9	1.13	1.5
Buoyancy (kg/cm)	12	31	50	72	72
SWL (t)	12	20	40	40	40
Draught (m)	0.7	1.1 to 1.4	1.5	1.5 or 1.6	1.4
Overall height (m)	1.3	2.6 to 3	3.2 to 3.3	3.3 or 3.5	3.7 or 3.8
Weight (t)	0.15	0.45 to 0.5	0.89 to 0.94	1.2	1.2
D-link	yes	yes	yes	no	no
Shackle	no	yes	yes	yes	yes
Static «T»	no	yes	yes	yes	yes



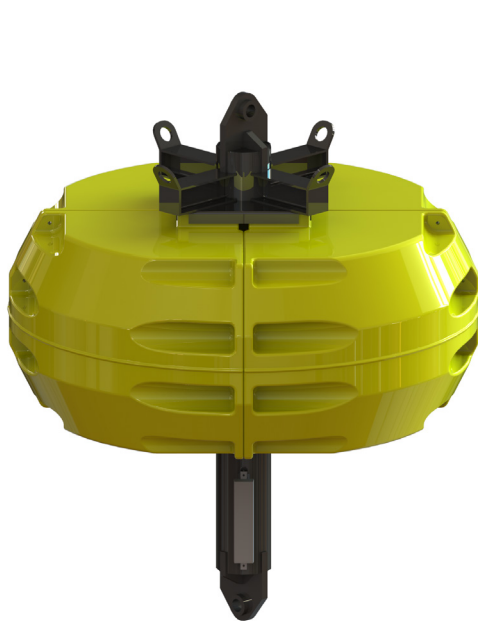
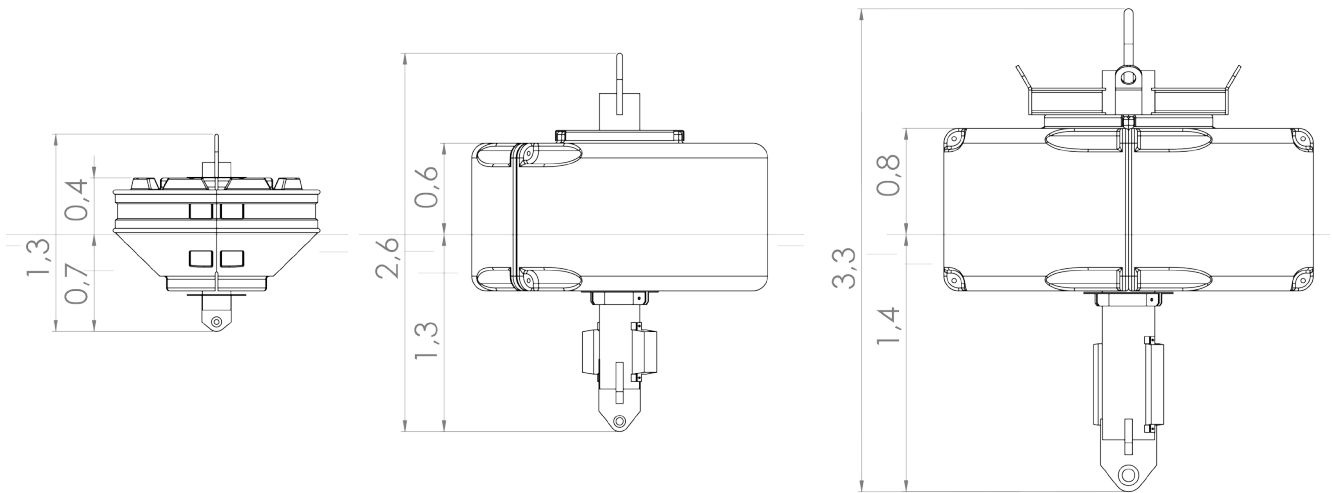
MB-1400-D



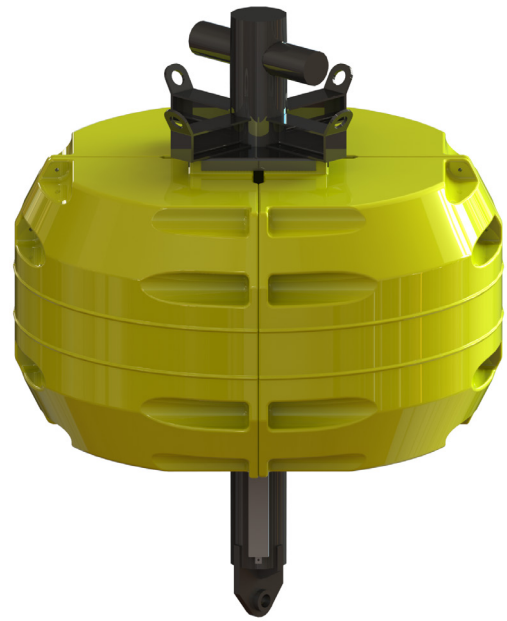
MB-2000-D



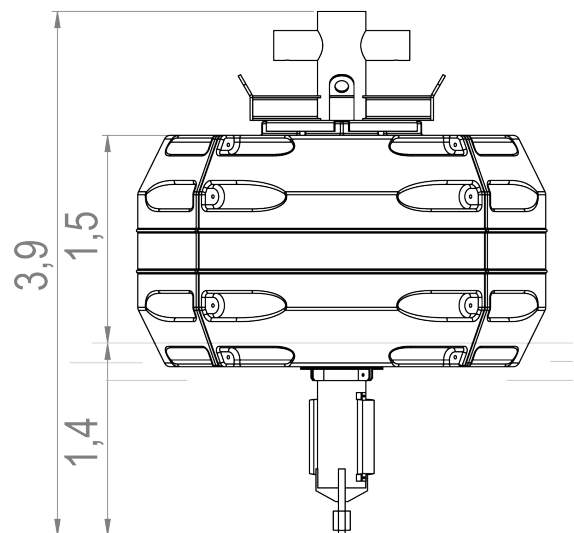
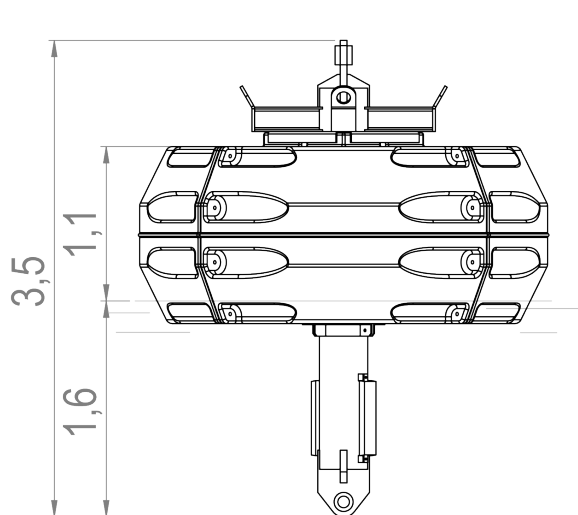
MB-2500-S



MB-3000-7.5-S



MB-3000-10-T



Specifications subject to change or variation without notice - Sept. 2015

