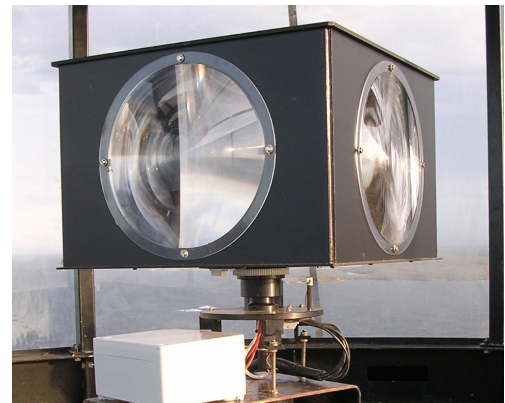


The GFT-200 is a revolving lantern intended for long range beaconing. Its characteristics make this lantern ideal for new lighthouses and for the refurbishment of existing equipment.

- Halogen or metal halide lamps
- Can be easily solar powered
- Can be equipped with up to 6 lenses to provide a wide range of characters
- Revolving pedestal in aluminium
- High precision of the revolving system
- Available in single or dual version (secondary lantern)
- Can be installed inside a lighthouse lantern or outdoor with an aluminium envelope

### Options

- Rotating Beacon Control Unit (please refer to RBCU datasheet)
- Monitoring system with VegaWeb
- Halogen model available with 6-position lamp changer

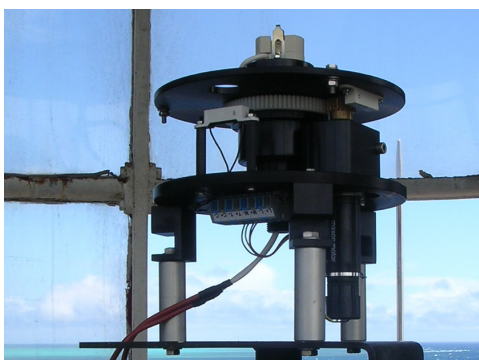


*Single version without envelope*



*Dual version with envelope*

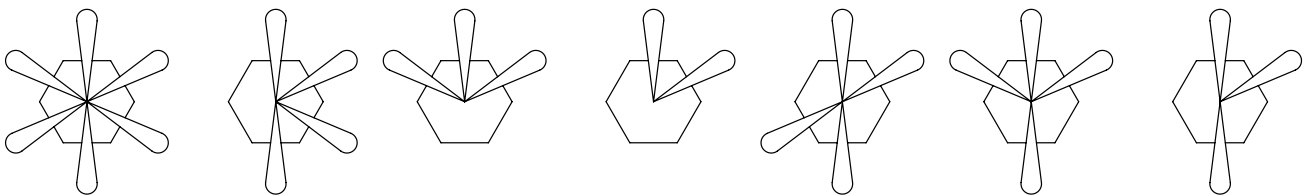
<b>Lens</b>	Moulded type Fresnel facet
<b>Watertightness</b>	IP 65
<b>Weight</b>	40kg for single version
<b>Engine power supply</b>	12V / 24V
<b>Lamp supply</b>	12V / 24VDC or 220V 50Hz
<b>Lamp type</b>	Halogen (HL) / Metal Halide (MH)
<b>Engine consumption</b>	< 1A
<b>Rotating speed</b>	Adjustable from 0.5 to 10 rpm
<b>Operating temperatures</b>	- 10° to + 60°
<b>Design life</b>	> 10 years



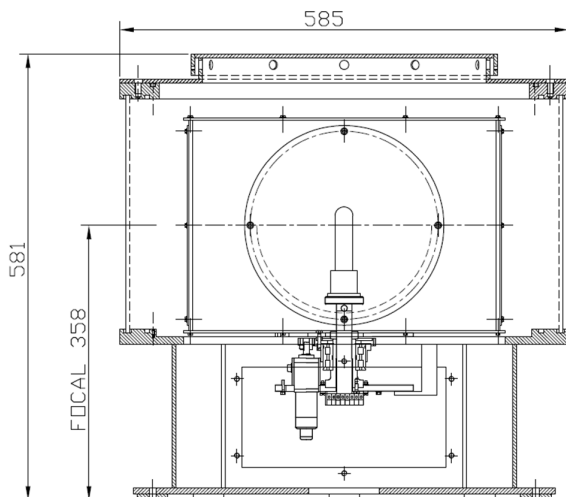
*Revolving pedestal  
with DC motor*

## Effective intensity and luminous range

Lamp size	Divergence				Fixed Intensity in axis (Cd)	Effective intensity (Cd) in white and range (NM @ 0.74T)					
	Horizontal		Vertical			120s 0.5 rpm	60s 1 rpm	30s 2 rpm	20s 3 rpm	15s 4 rpm	10s 6 rpm
	50%	10%	50%	10%							
20W HL, 12V	0.4°	0.9°	0.8°	1.2°	188,495	78 464 19.1	49 544 18.1	28 520 16.7	20 023 15.9	15 427 15.2	10 573 14.4
90W HL, 12V	0.5°	0.9°	1.2°	1.8°	513,131	250 132 22.1	165 373 21.1	98 570 19.7	70 209 18.9	54 222 18.3	37 682 17.3
35W MH, 220V	1.4°	1.8°	0.5°	1.2°	527,934	366 204 23.1	280 327 22.4	190 827 21.4	144 646 20.6	116 461 20.1	83 803 19.3
70W MH, 220V	1.4°	2.0°	0.6°	1.4°	992,644	693 122 24.8	532 458 24.1	363 801 23.1	276 287 22.3	222 712 21.7	160 476 20.9
150W MH, 220V	2°	2.7°	0.7°	1.6°	1,190,000	917 330 25.4	746 322 24.9	543 634 24.1	427 526 23.4	352 285 22.9	260 570 22.2



Flash characters with a 6-lens carousel



Specifications subject to change or variation without notice - Sept. 2015

