

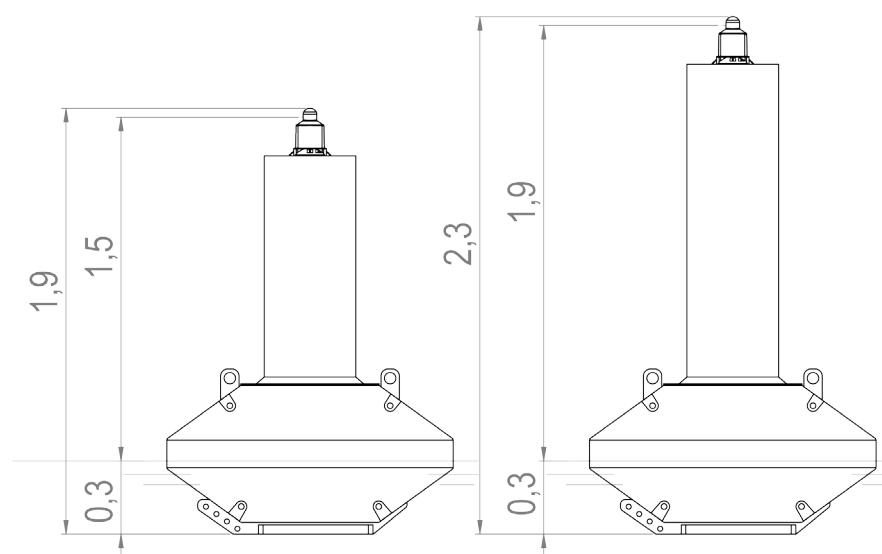
**Diameter: 1.25m**  
**Volume: 0.4m<sup>3</sup>**

## The proximity buoy GBR-1250 is intended for river navigation

- 2 segments of float in polyethylene, 7mm wall thickness (higher available upon request), with colour stained in the mass and UV-stabilized
- 2 lifting eyes
- Polyethylene spars available: 1m (SS) and 1.4m (ES)
- Ballasted drift in galvanized steel, for strong current
- Top mark and radar reflector available upon request
- Polystyrene foam (EPS) available upon request



	1m spar (SS)	1.4m spar (ES)
Float diameter (m)	1.25	1.25
Float volume (m <sup>3</sup> )	0.4	0.4
Float foaming (optional)	EPS	EPS
Reserve buoyancy (m <sup>3</sup> )	0.3	0.3
Focal plane (m)	1.5	1.9
Draught (m)	0.3	0.3
Overall height (m)	1.9	2.3
Total weight (kg)	92	95



GBR-1250-SS

GBR-1250-ES

Specification subject to change or variation without notice - Sept. 2015

