

**Diameter: 1.8m
Volume: 1.7m³**

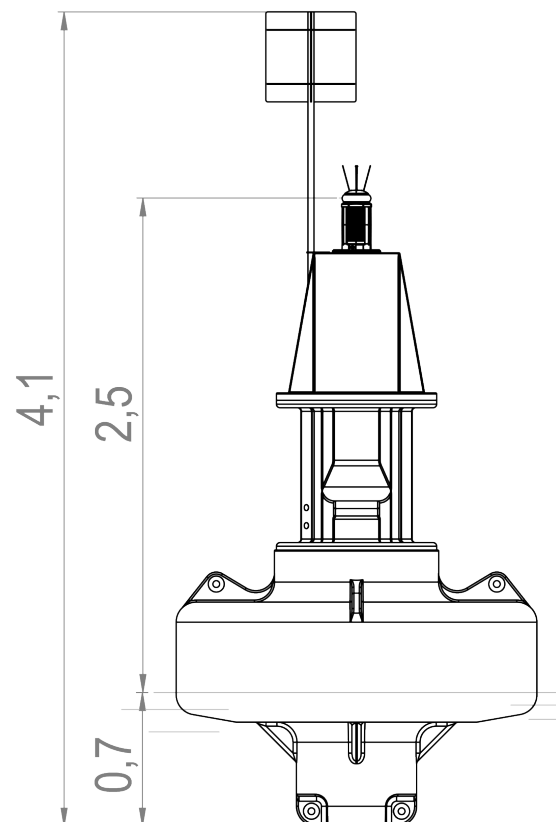
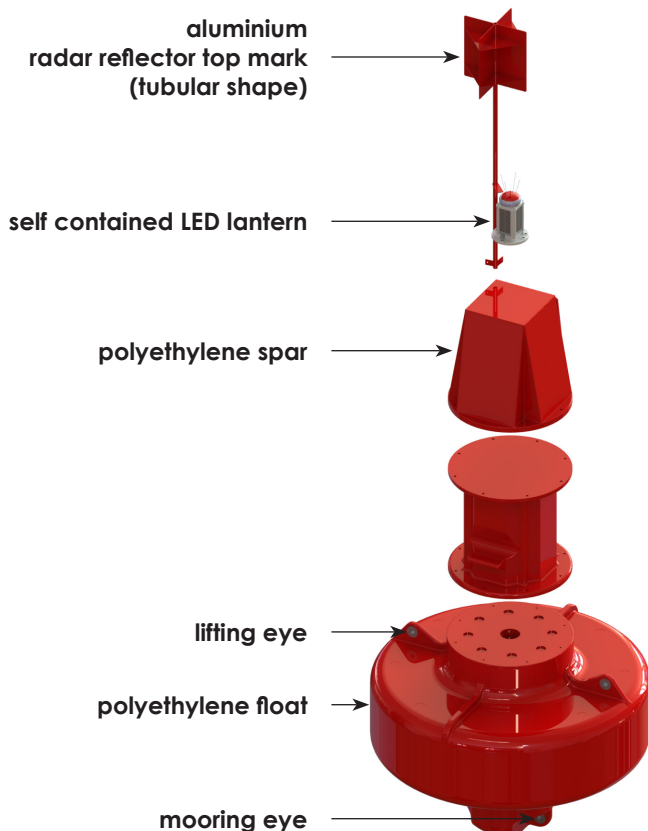
The proximity buoy GBP-1800 is intended for the beaconing of sheltered sites.

- Polyethylene float, 12mm wall thickness, with colour stained in the mass and UV-stabilized, and filled with polystyrene foam (EPS)
- Polyethylene spar
- 2 lifting eyes + 2 two mooring eyes
- Equipped with tubular top mark
- Reinforced top mark available upon request

	GBP-1800
Float diameter (m)	1.8
Float volume (m ³)	1.7
Float foaming	EPS
Reserve buoyancy (m ³)	1.3
Focal plane (m)	2.5
Draught (m)	0.7
Overall height (m)	4.1
Ballast (kg)	270
Total weight (kg)	430



Buoy with reinforced top mark



Specification subject to change or variation without notice - Sept. 2015

