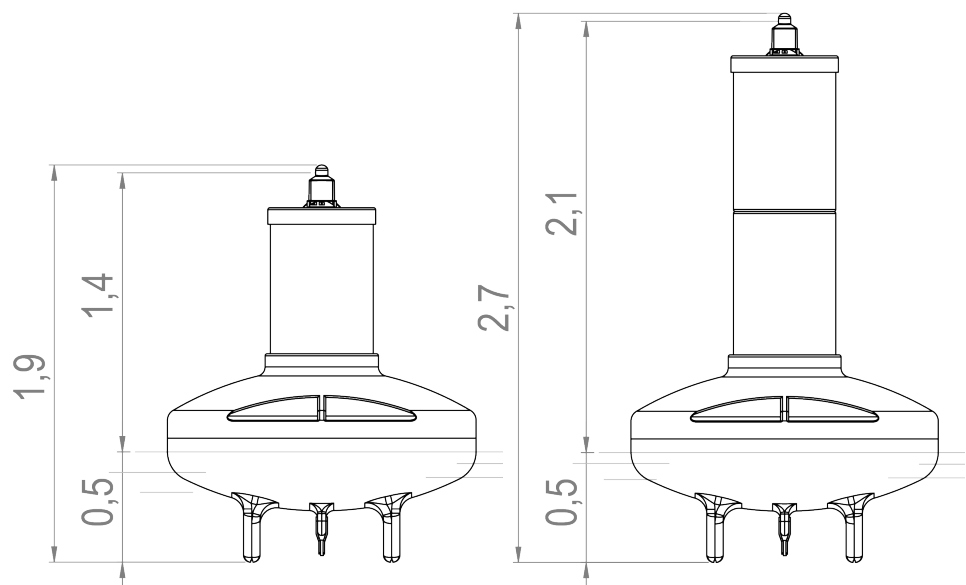


**Diameter: 1.5m**  
**Volume: 0.8m<sup>3</sup>**

The fast current buoy GBP-1500 is intended for the beaconing of shallow waters, channel edges, rivers and fast current zones.

- Polyethylene float with standard wall thickness 8.5mm (higher available upon request), with colour stained in the mass and UV-stabilized, and filled with polystyrene foam (EPS)
- Polyethylene single (SS) or extended (ES) spar
- Twin keel float for fast current zones
- 2 mooring eye + 2 lifting eyes
- Top mark available upon request

	single spar (SS)	double spar (ES)
Float diameter (m)	1.5	1.5
Float volume (m <sup>3</sup> )	0.8	0.8
Float foaming	EPS	EPS
Reserve buoyancy (m <sup>3</sup> )	0.6	0.6
Focal plane (m)	1.4	2.1
Draught (m)	0.5	0.5
Overall height (m)	1.9	2.7
Ballast (kg)	85	85
Total weight (kg)	167	180



GBP-1500-SS

GBP-1500-ES

Specification subject to change or variation without notice - Sept. 2015

