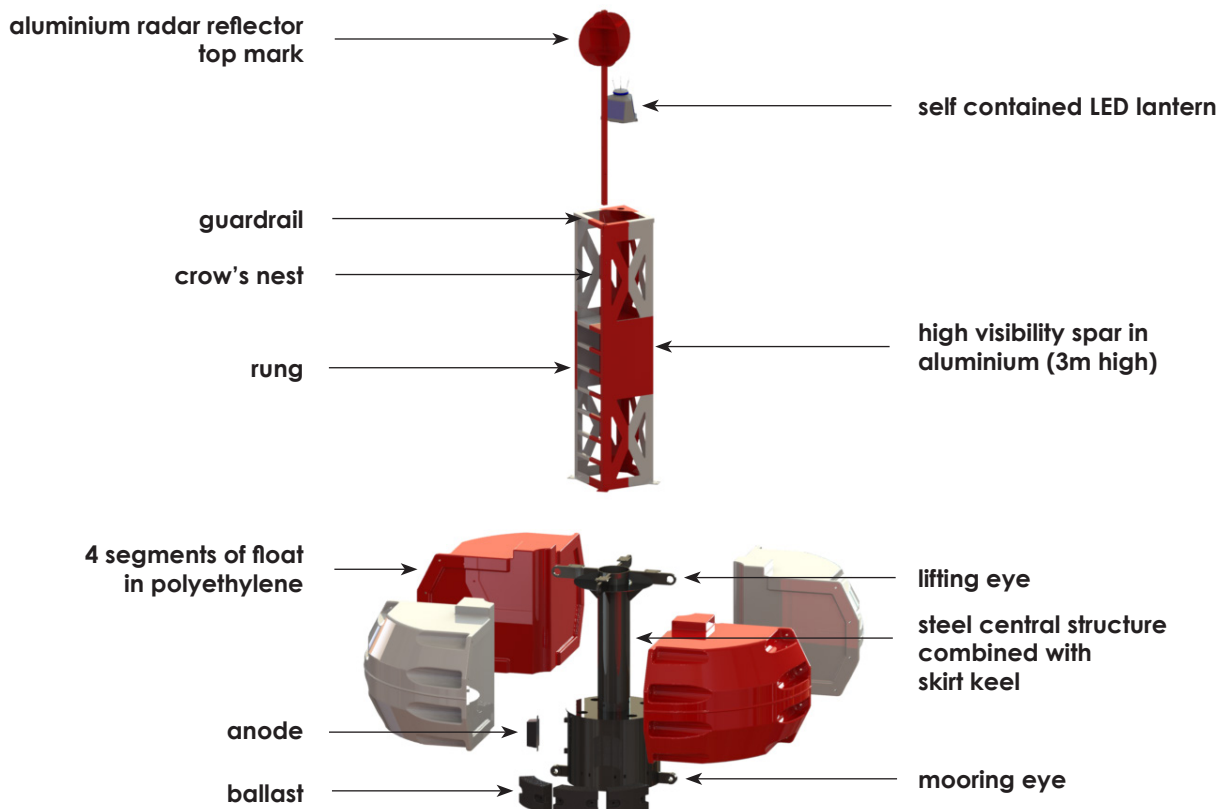


Diameter: 3m, with adjustable float volume

The modular buoy GBM-3000 is intended for the beaconing of exposed sites.

- 3 different float volumes: 7.5 / 10 or 12m³
- 4 segments of float in polyethylene, with standard wall thickness 12mm (higher available upon request), colour stained in the mass and UV-stabilized, and filled with polystyrene foam (EPS)
- High Visibility Polyethylene (HVPE) or Aluminium (ALU) spar
- Central structure type skirt keel, short or long ballasted tail, in painted or galvanized steel



With an innovative modular design, the GBM-3000 is able to match all site conditions and client requirements.

Option matrix

3 float volumes	3 types of spar	3 types of steel structure
7.5 m ³	HVPE: 2.7m high	SK: Skirt Keel
10 m ³	ALU-3M: 3m high	ST: Short Ballasted Tail
12 m ³	ALU-4M: 4m high	LT: Long Ballasted Tail

	GBM-3000-7.5	GBM-3000-10	GBM-3000-12
Float diameter (m)	3	3	3
Float volume (m ³)	7.5	10	12
Float foaming	EPS	EPS	EPS
Reserve buoyancy (m ³)	5.2 to 5.9	7.6 to 8.3	9.5 to 10.2
Focal plane (m)	4.2 to 5.7	4.5 to 6	6.2
Draught (m)	1.2 to 4.3	1.2 to 4.3	1.2 to 4.3
Overall height (m)	6.4 to 10.2	6.8 to 11.6	8.8 to 11.9
Ballast (kg)	520 or 1,000	520 or 1,000	520 or 1,000
Total weight (kg)	1,600 to 2,300	1,700 to 2,400	1,800 to 2,500

