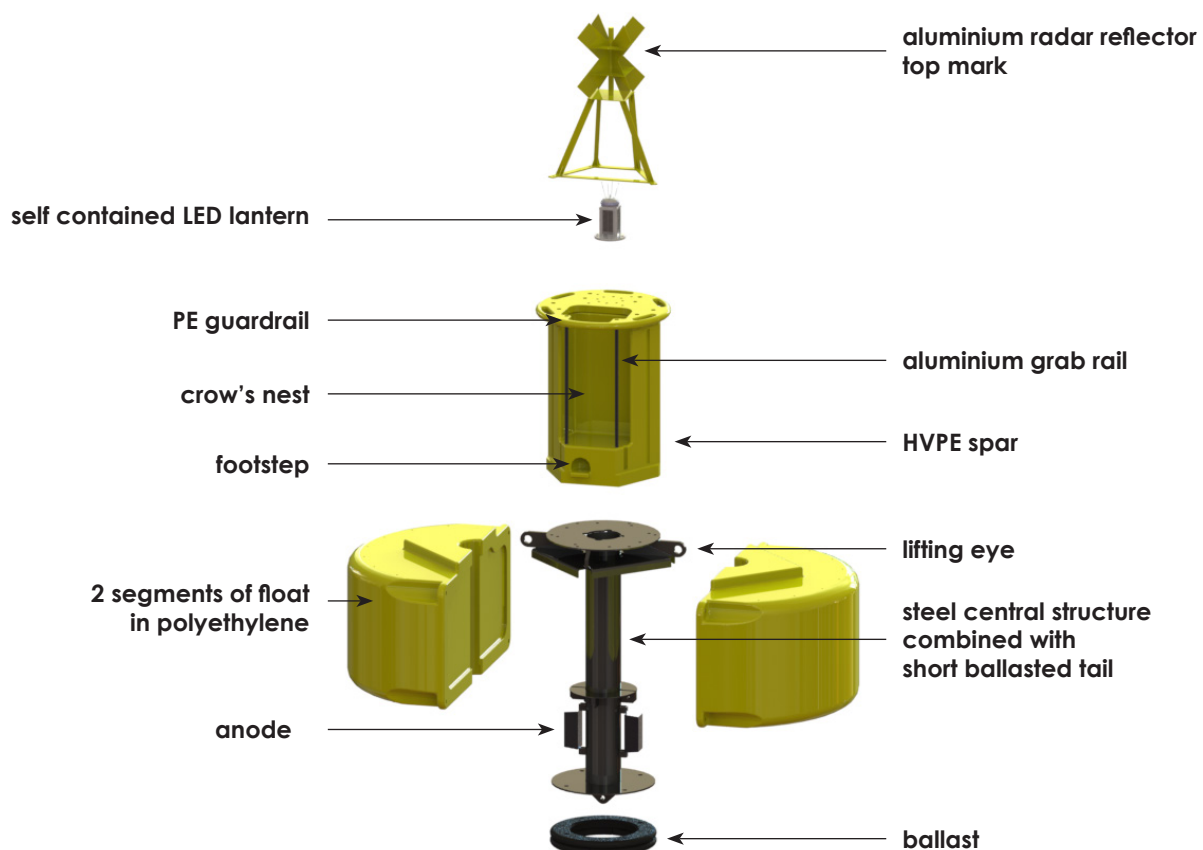


Diameter: 2m
Volume: 3.1m³

The modular buoy GBM-2000 is intended for the beaconing of semi-exposed and sheltered sites.

- 2 segments of float in polyethylene, with standard wall thickness 10mm (higher available upon request), colour stained in the mass and UV-stabilized, and filled with polystyrene foam (EPS)
- Polyethylene (PE), High Visibility Polyethylene (HVPE) or Aluminium (ALU) spar
- Central structure type skirt keel, short or long ballasted tail, in painted or galvanized steel

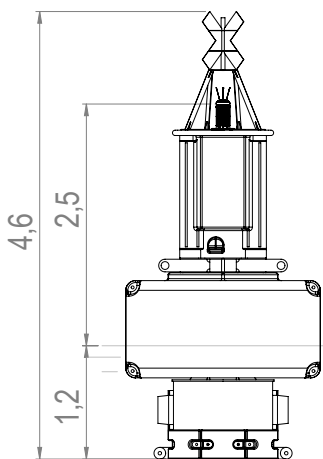
	GBM-2000
Float diameter (m)	2
Float volume (m ³)	3.1
Float foaming	EPS
Reserve buoyancy (m ³)	1.9 to 2
Focal plane (mm)	2.5 to 4.2
Draught (mm)	1.2 to 2.2
Overall height (mm)	4.6 to 7.9
Ballast (kg)	260 or 350
Total weight (kg)	780 to 1,200



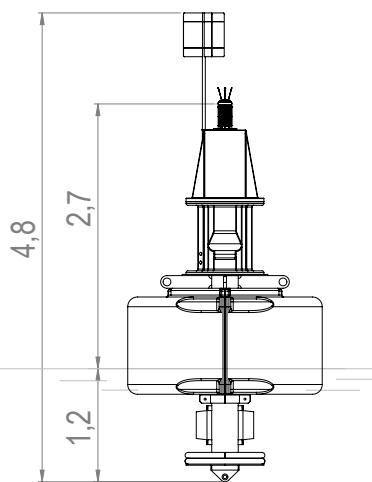
With an innovative modular design, the GBM-2000 is able to match various site conditions and client requirements.

Option matrix

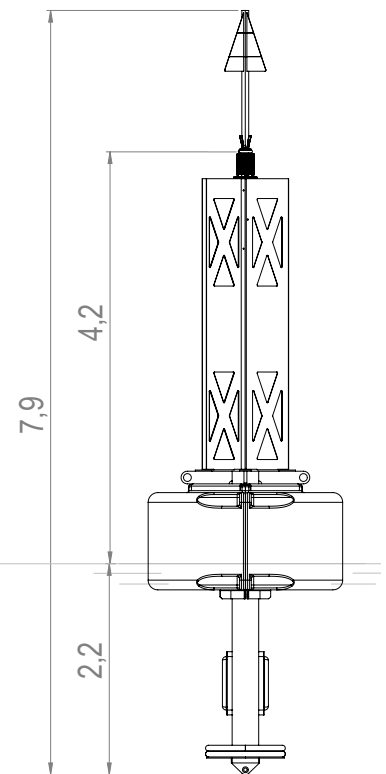
4 types of spar	3 types of steel structure
HVPE: 1.3m high	SK: Skirt Keel
PE: 1.5m high	ST: Short Ballasted Tail
ALU-2M: 2m high	LT: Long Ballasted Tail
ALU-3M: 3m high	



GBM-2000-SK-HVPE



GBM-2000-ST-PE



GBM-2000-LT-ALU 3M

Specifications subject to change or variation without notice - Sept. 2015

