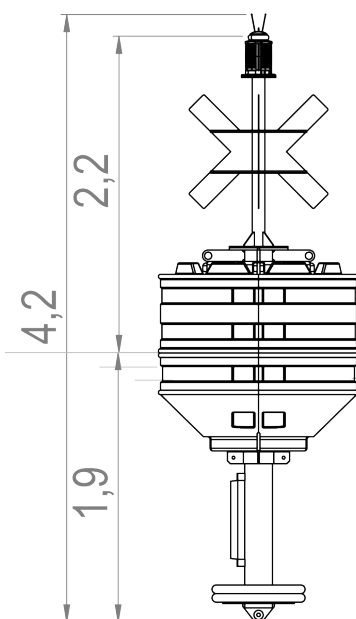
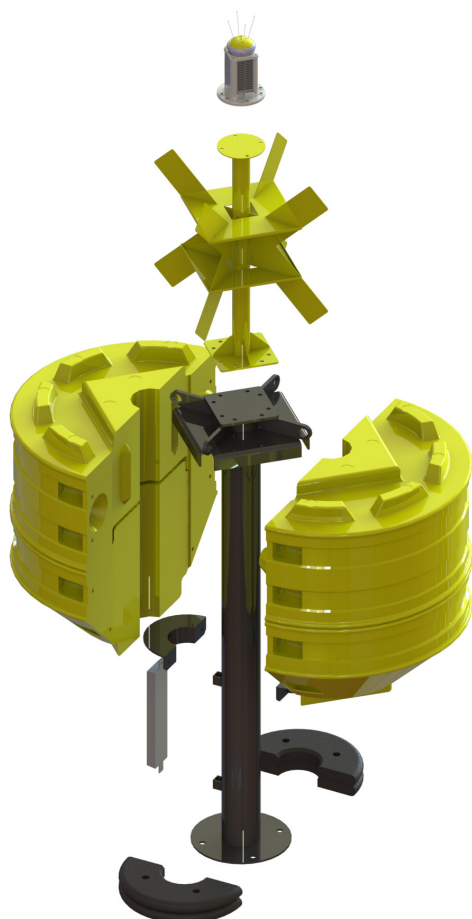


Diameter: 1.4m
Volume: 1.5m³

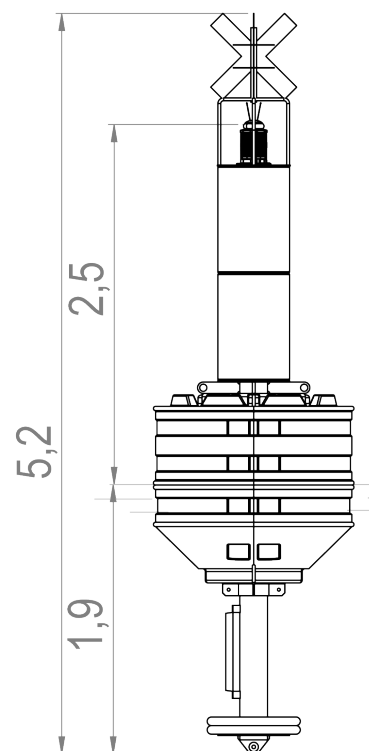
The modular buoy GBM-1400 offers a reinforced stability with a ballasted tail.

- 4 segments of float in polyethylene, 7.5mm wall thickness, with colour stained in the mass, UV-stabilized, and filled with polystyrene foam (EPS)
- Available with polyethylene (PE), aluminium (ALU) or steel spar
- Central structure in painted or galvanized steel

	with ALU spar	with PE spar
Float diameter (m)	1.4	1.4
Float volume (m ³)	1.5	1.5
Float foaming	EPS	EPS
Reserve buoyancy (m ³)	0.9	0.9
Focal plane (m)	2.2	2.5
Draught (m)	1.9	1.9
Overall height (m)	4.2	5.2
Ballast (kg)	260	260
Total weight (kg)	582	575



GBM-1400-1.5-ALU



GBM-1400-1.5-PE

Specifications subject to change or variation without notice - Sept. 2015

