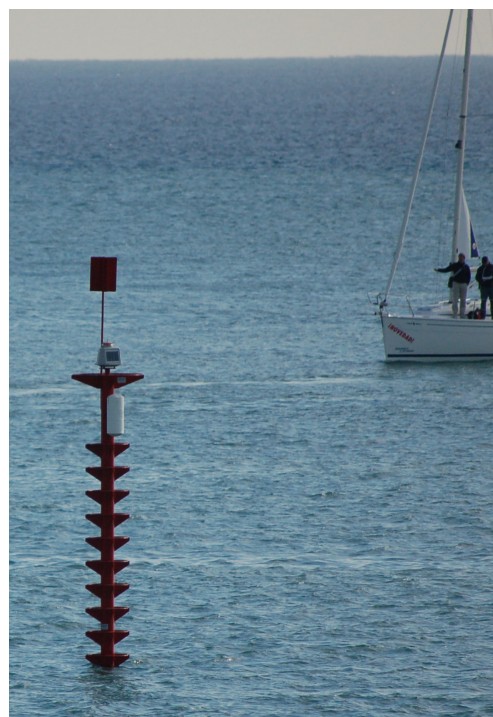


For mooring depth sites
up to 50m

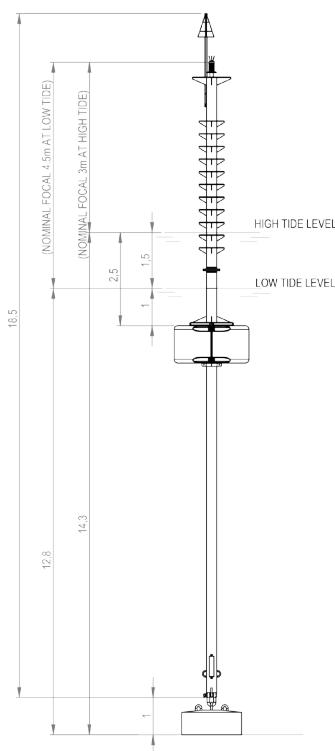
With a submerged float from 2.3 to 10m³ volume, GISMAN articulated beacons offer a watch swing radius close to 0. This equipment requires low maintenance.

- Custom-made for each site conditions
- Tubular pillar divided into watertight sections assembled by bolted flanges, and hinged on a sinker by a special high duty shackle
- Polyethylene float filled with polyurethane foam
- Cathodic protection against corrosion
- Low maintenance (no chain)
- Positioning with great accuracy
- Watch swing radius close to 0
- No roll (although it may lean over of some degrees under the action of strong winds and currents)
- 360° rungs for an easy access to the working platform (platform as an option)

Float diameter (m)	from 1.4 to 2.5
Float volume (m³)	from 2.3 to 10
Height and draught	according to depth and site conditions
Focal plane (m)	up to 10



GAB-2000-3.1



Specifications subject to change or variation without notice - Sept. 2015

