



Airfield Lighting

For your runway and taxiway safety

GERMANY[®]
NARVA
SPEZIALLAMPEN

NARVA “Made in Germany”

- More than 60 years experience in special lighting

NARVA has become a reliable partner due to experience gained over 60 years of manufacturing incandescent lamps. NARVA is able to offer customer specific solutions for special application like airfield lighting in a excellent quality. Even more the strong position as OEM supplier for automotive application opens the new founded company broad access to know which will be adapted for its airfield products too.

- History:
- 1948 Foundation Glühlampenwerk Plauen
 - 1957 Registration of brand NARVA
 - 1969 Start of halogen automotive lamp production
 - 1991 Philips Lighting took over Plauen factory
 - 1994 only OEM producer for selected products inside Philips
 - 1997 Start of airfield lamp production in Plauen
 - 2012 foundation of vosla GmbH and continue of NARVA brand for special lamps

NARVA offer an extensive range of halogen & standard incandescent bulbs specified for airfield runway and taxiway fixtures that fulfill FAA, ICAO and other national and international regulations. The high reliability guarantees long replacement cycles and low maintenance cost. All new products are designed under environmental friendly aspects (lead and mercury free).



NARVA lamps with longer life time - an innovative breakthrough

NARVA has successful developed a series of Pk30d, Bi-Pin and T10 lamps with extended lifetime. The specification allows for a simple exchange of current industry standard lamps with new NARVA lamps with longer life time.

NARVA lamps with longer life time offer following features and benefits:

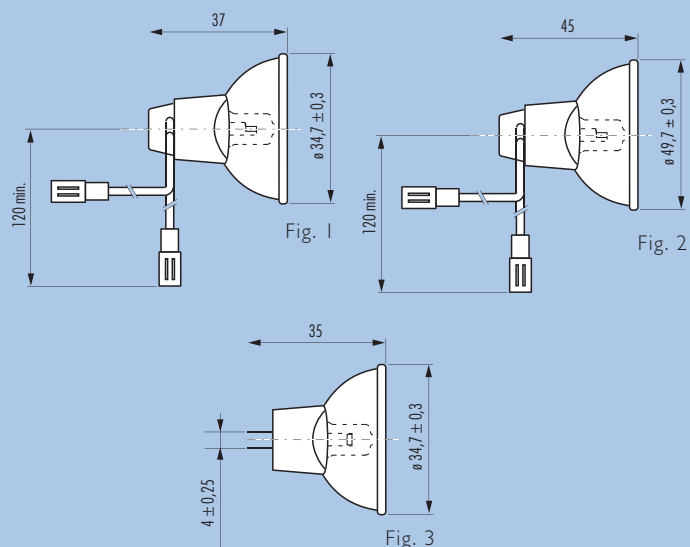
- Dichroic reflector 48W with 2500 hours
- Pk30d complete range available
- Bi-pin GZ9,5 available in 30W, 45W and 200W
- T10 halogen available in 30W and 45W
- 2000 hours average life vs. 1000 hours for standard range (at 6,6A)
- 50% higher life for 45W and 200W Bi-pin (at 6,6A)
- longer service intervals
- less maintenance costs
- environmental friendly product (lead and mercury free)

NARVA lamps with longer life time are definitely the perfect solution to secure longer replacement cycles and to improve the reliability of runway and taxiway lighting.

Halogen airfield lamps – Dichroic reflector



Dichroic reflector



Dimension in mm

Technical and ordering data

Type	Current A	Wattage W	Base	axial light intensity kcd	Average life hrs.	Fig.	Ordering number
6144	6,6	30	cable flat female connector ³⁾	min. 16	1000	2	58334
6137	6,6	35	GZ4	min. 4,5	1500	3	58314
6102	6,6	40	cable round female connector ¹⁾	min. 10,5	1500	1	58302
6104	6,6	40	cable flat male connector ²⁾	min. 10,5	1500	1	58303
6110	6,6	40	cable flat female connector ³⁾	min. 10,5	1500	1	58301
6145LL	6,6	45	cable flat female connector ³⁾	min. 19,0	2500	2	58381
6146LL	6,6	45	cable round female connector ¹⁾	min. 19,0	2500	2	58382
6101LL	6,6	48	cable flat female connector ³⁾	min. 20,0	2500	2	58304
6106LL	6,6	48	cable flat male connector ²⁾	min. 20,0	2500	2	58305
6107LL	6,6	48	cable round female connector ¹⁾	min. 20,0	2500	2	58306
6109	6,6	48	cable round female connector ¹⁾	min. 23,0	1000	2	58309
6143	6,6	48	cable flat female ⁶⁾	min. 23,0	1000	2	58333
6138	6,6	48	cable flat male / female connector ⁵⁾	min. 25,0	500	2	58317
6141	6,6	62	cable flat female connector ^{1) 4)}	-	1500	2	58335
6142	6,6	62	GX5,3	-	1500	-	58336
6103	6,6	105	cable round female connector ¹⁾	min. 30,0	1000	2	58307
6105	6,6	105	cable flat female connector ³⁾	min. 30,0	1000	2	58308
6108	6,6	105	cable flat male connector ²⁾	min. 30,0	1000	2	58310

¹⁾ 4 mm diameter

²⁾ flat male connector, complying with DIN 46248

³⁾ flat female connector, complying with DIN 46247

⁴⁾ 16" cable length

⁵⁾ with 60 mm sleeve

⁶⁾ with rectangular female connector

Round female connector



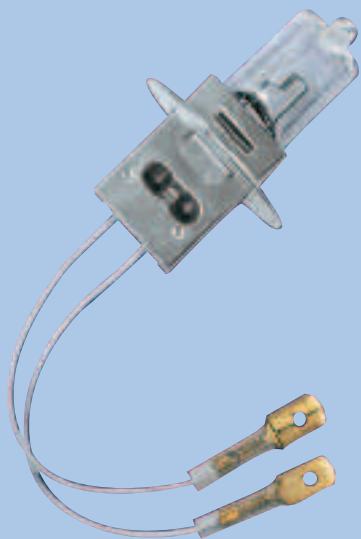
Flat male connector



Flat female connector



Halogen airfield lamps – Prefocus (Pk), cable connection



Prefocus Pk

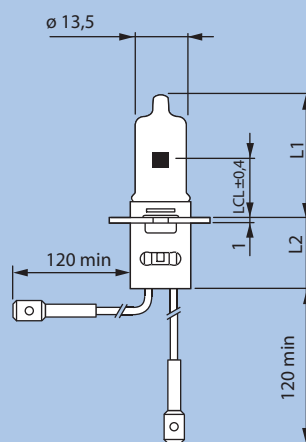


Fig. 1

Type	L1 max. in mm	L2 max. in mm
6303	36	20
6130	28	21
6132	32	21
6133	32	21
6304	32	21
6125	32	21
6116	36	17
6121	32	21
6118	35	21
6392	35	21
6313	36	21
6117	36	21
6139	36	21

Dimension in mm

Technical and ordering data

Type	Current A	Wattage W	Base	Connec- tor	Lumi- nous flux Lm	Average life hrs.	LCL mm	Filament	Fig.	Ordering number
6303LL	6,6	45	Pk30d	male	800	2000	16	C-8	I	58326
6130LL	6,6	45	Pk30d	female	800	2000	16	C-8	I	58328
6132LL	6,6	45	Pk30d	female	800	2000	20	C-8	I	58330
6133LL	6,6	45	Pk30d	male	800	2000	20	C-8	I	58331
6304LL	6,6	65	Pk30d	male	1450	2000	20	CBAR-6	I	58337
6125LL	6,6	65	Pk30d	female	1450	2000	20	CBAR-6	I	58338
6116LL	6,6	100	Pk30d	male	2700	2000	20	CBAR-6	I	58347
6121LL	6,6	100	Pk30d	female	2700	2000	20	CBAR-6	I	58349
6118LL	6,6	150	Pk30d	female	3600	2000	20	CBAR-6	I	58369
6392LL	6,6	150	Pk30d	male	3600	2000	20	CBAR-6	I	58368
6313LL	6,6	200	Pk30d	male	4400	2000	20	CC-6	I	58376
6117LL	6,6	200	Pk30d	male	4800	2000	20	CC-6	I	58377
6139LL	6,6	200	Pk30d	female	4800	2000	20	CC-6	I	58378

Halogen airfield lamps – Bipin



Bipin GZ9,5

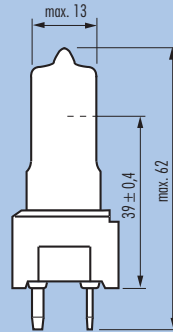


Fig. 1

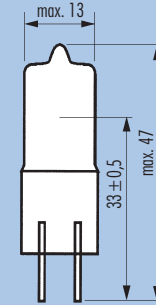


Fig. 2

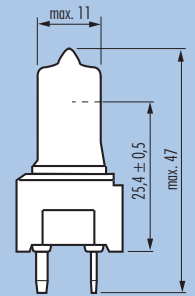


Fig. 3

Dimension in mm

Technical and ordering data

Type	LIF ANSI	Current A	Wattage W	Base	Lumi- nous flux Lm	Average life hrs.	LCL mm	Filament	Fig.	Ordering number
6112LL	EXL	6,6	30	GZ9,5	375	2000	25,4	C-8	3	58312
6315	J1/75	6,6	36	G6,35	610	1200	33	C-8	2	58315
6123	J1/57	6,6	45	G6,35	840	1500	33	C-8	2	58323
6134LL	EXM	6,6	45	GZ9,5	800	1500	25,4	C-8	3	58325
6343	J1/58	6,6	100	G6,35	2300	1200	33	CBAR-6	2	58343
6128	EVV	6,6	120	GZ9,5	3150	500	39	CBAR-6	1	58355
6292	EWR	6,6	150	GY9,5	3750	750	39	CBAR-6	1	58365
6373	J1/39	6,6	200	G6,35	4700	1200	33	CBAR-6	2	58373
6372LL	EZL	6,6	200	GZ9,5	5000	750	39	CBAR-6	1	58374

Remark: Bold marked types are Long Life lamps

Conventional airfield lamps - Prefocus



Conventional prefocus

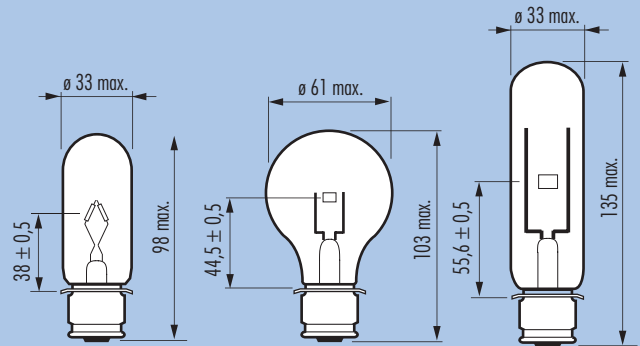


Fig. 1

Fig. 2

Fig. 3

Dimension in mm

Technical and ordering data

Type	Current A	Wattage W	Base	Luminous flux Lm	Average life hrs.	LCL mm	Filament	Fig.	Ordering number
7669C	6,6	30	P28s	450	1000	38	C-2V	1	67830
7669H	6,6	30	P28s	450	2000	38		1	58318
7654C	6,6	45	P28s	730	1000	38	C-2V	1	67845
7654H	6,6	45	P28s	730	2000	38		1	58320
7668C	6,6	100	P28s	1850	1000	38	C-2V	1	67851
7670C	6,6	200	P28s	4600	200	44,5	CC-6	2	67860
6936C	6,6	210	P28s	4500	300	55,6	C-13	3	67861

Remark: Bold marked types are Halogen Long Life types