

Technical Information

No. DO 4345

Edition: 07/08 - subject to change

Supersedes 04/00

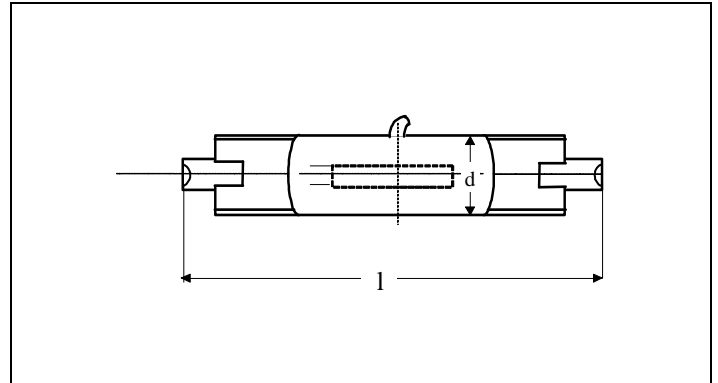
Status: valid

Tungsten Halogen Lamp
for Airfield Lighting

64380

■ Product description

The OSRAM 64380 is a double-ended lamp used for Airfield lighting.



■ Technical data

Order reference		64380
LIF		J1/40
Maximum operation current	A	6.6
Base		R7s
Rated lamp wattage	W	200
Maximum initial wattage	W	216
Average life	h	1,000
Color temperature	K	2,800
Rated luminous flux	lm	4,400
Minimum initial luminous flux	lm	3,570
Luminous flux after 750 h	lm	min. 95% of initial value
Bulb diameter (d)	mm	max. 14.0
Length (l)	mm	max. 65.6
Filament type		CC-6
Filament dimensions (w x h)	mm	8.4 x 3.1
Deviation of filament centre	mm	max. 1(refers to base axis)

■ Lamp operation

Burning position		p 15
Maximum pinch temperature	°C	350
Chromaticity		within white boundaries as defined in Annex 14 to the Convention of International Civil Aviation