

# Technical Information

No. DO 4341

Edition: 07/08 - subject to change

Supersedes 11/05

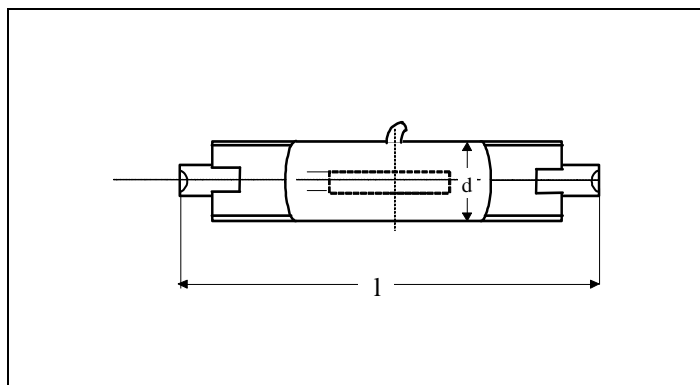
Status: valid

Tungsten Halogen Lamp  
for Airfield Lighting

# 64340

## ■ Product description

The OSRAM 64340 is a double-ended lamp used for Airfield lighting



## ■ Technical data

|                               |    |                             |
|-------------------------------|----|-----------------------------|
| Order reference               |    | 64340                       |
| LIF                           |    | J1/82                       |
| Maximum operation current     | A  | 6.6                         |
| Base                          |    | R7s                         |
| Rated lamp wattage            | W  | 100                         |
| Maximum initial wattage       | W  | 108                         |
| Average life                  | h  | 1,000                       |
| Color temperature             | K  | 2,900                       |
| Rated luminous flux           | lm | 2,170                       |
| Minimum initial luminous flux | lm | 1,950                       |
| Luminous flux after 750 h     | lm | min. 95% of initial value   |
| Bulb diameter (d)             | mm | max. 10.0                   |
| Length (l)                    | mm | max. 65.6                   |
| Filament type                 |    | C-6                         |
| Filament dimensions (w x h)   | mm | 6.5 x 2.7                   |
| Deviation of filament centre  | mm | max. 1(refers to base axis) |

## ■ Lamp operation

|                           |    |  |
|---------------------------|----|--|
| Burning position          |    | horizontal   |
| Maximum pinch temperature | °C | 350  |
| Chromaticity              |    | within white boundaries as defined in Annex 14 to the Convention of International Civil Aviation |