

# Technical Information

No. DO 4499

Edition: 07/08 - subject to change

Supersedes: 04/00

Status: valid

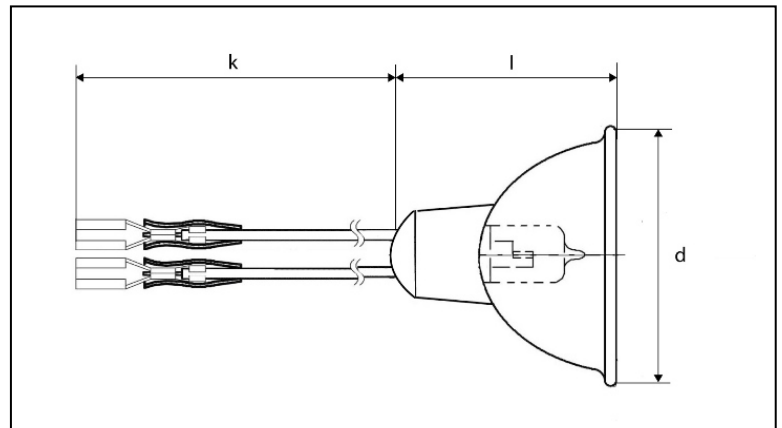
Tungsten Halogen Lamp  
for Airfield Lighting

## 64337 A or B 45-15



### ■ Product description

The OSRAM 64337 A or B 45-15 is a tungsten halogen lamp for the following applications:

Touchdown zone, runway and taxiway centre line, taxiway edge, runway end lights and stopbar.



### ■ Technical data

Order reference		64337 A or B 45-15
Maximum operation current	A	6.6
Connector	 A	female flat <sup>1</sup>
	 B	female round <sup>2</sup>
Rated lamp wattage	W	45
Maximum initial wattage	W	48.6
Average life	h	1,500
Color temperature	K	3,200
Axial luminous intensity	cd	21,000
Minimum axial luminous intensity	cd	19,000
Axial luminous intensity after 1125 h	cd	min. 75% of initial value
Reflector type		MR 16 parabolic reflector with durable dichroic coating
Reflector diameter (d)	mm	max. 50.4
Length (l)	mm	max. 45.0
Cable length (k)	mm	min. 125

### ■ Lamp operation

Burning position		horizontal
Maximum pinch temperature	°C	350
Chromaticity		within white boundaries as defined in Annex 14 to the Convention of International Civil Aviation

<sup>1</sup> Female connector A complies with DIN 46247

<sup>2</sup> Female round connector B for  $\varnothing$  4 mm pin