

Technical Information

No. DO 5483

Edition: 07/08 - subject to change

Supersedes 10/06

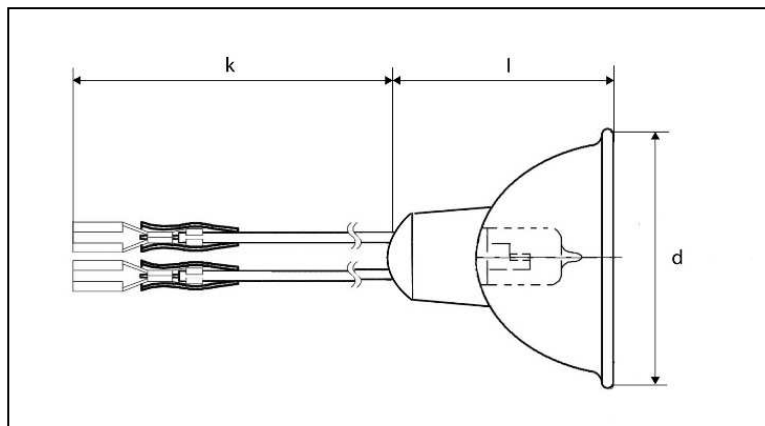
Status: valid

Tungsten Halogen Lamp
for Airfield Lighting


64336 A

■ Product description

The OSRAM 64336 A is a tungsten halogen lamp for threshold and runway end lights.



■ Technical data

Order reference		64336 A 62-15
Maximum operation current	A	6.6
Connector	 A	female ¹
Rated lamp wattage	W	62
Maximum initial wattage	W	65
Average life	h	1,500
Color temperature	K	3,250
Axial luminous intensity	cd	31,500
Minimum axial luminous intensity	cd	28,000
Axial luminous intensity after 1125 h	cd	min. 75% of initial value
Reflector type		MR 16 parabolic reflector with durable dichroic coating
Reflector diameter (d)	mm	max. 50.4
Length (l)	mm	max. 45.0
Cable length (k)	mm	min. 125

■ Lamp operation

Burning position		horizontal
Maximum pinch temperature	°C	350
Chromaticity		within white boundaries as defined in Annex 14 to the Convention of International Civil Aviation

¹ Female connector A complies with DIN 46247