

Technical Information

No. DO 4495

Edition: 07/08 - subject to change

Supersedes 12/05

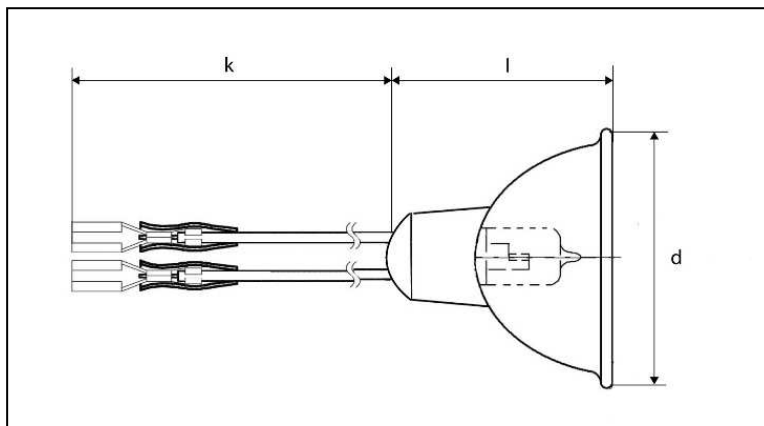
Status: valid

Tungsten Halogen Lamp
for Airfield Lighting




64333 A/B/C

■ Product description

The OSRAM 64333 A/B/C is a tungsten halogen lamp for taxiway centre line and stopbar lighting.



■ Technical data

Order reference		64333 A/B/C 40-15
Maximum operation current	A	6.6
Connector:	 A	female flat ¹
	 B	female round ²
	 C	male ³
Rated lamp wattage	W	42
Maximum initial wattage	W	43.2
Average life	h	1,500
Color temperature	K	3,400
Axial luminous intensity	cd	12,700
Minimum axial luminous intensity	cd	10,100
Axial luminous intensity after 550 h	cd	min. 75% of initial value
Reflector type		MR 11 parabolic reflector with durable dichroic coating
Reflector diameter (d)	mm	max. 35.3
Length (l)	mm	max. 37.0
Cable length (k)	mm	min. 125

■ Lamp operation

Burning position		horizontal
Maximum allowed pinch temperature	°C	350
Chromaticity		within white boundaries as defined in Annex 14 to the Convention of International Civil Aviation

¹ Female connector A complies with DIN 46247

² Female round connector B for Ø 4 mm pin

³ Male connector C complies with DIN 46248