

Technical Information

No. DO 4489

Edition: 08/08 - subject to change

Supersedes 04/06

Status: valid

Tungsten Halogen Lamp
for Airfield Lighting



64319 A/Z (C)

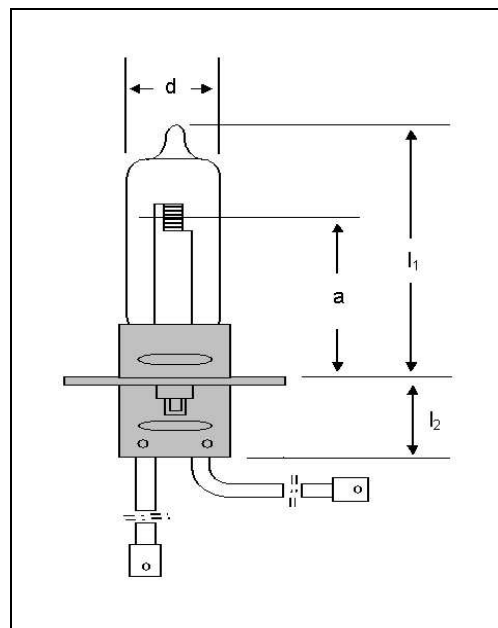
■ Product description

The OSRAM 64319 A/Z (C) is a tungsten halogen lamp comparable to the OSRAM 64317 Z (C) but with 20.0 mm instead of 16.0 mm LCL for the following applications:

Taxiway centre line, stopbar, runway edge, taxiway edge, runway end, threshold and approach lighting

■ Technical data

Order Reference	64319 A/Z (C) 45-15	
LIF	-	
Maximum operation current	A	6.6
Base	PK30d	
Connectors:	 A	female ¹
	 Z (C)	male ²
Cable length	mm	min. 125
Rated lamp wattage	W	45
Maximum initial wattage	W	51.5
Average life	h	1,500
Color temperature	K	3,000
Rated luminous flux	lm	800
Minimum initial luminous flux	lm	730
Luminous flux after 750 h	lm	min. 98% of initial value
Bulb diameter (d)	mm	max. 13.5
Length (l ₁)	mm	max. 34
Length (l ₂)	mm	max. 16
LCL (a)	mm	20.0
Filament type	C-8	
Filament dimensions (wxh)	mm	1.4 x 3.4
Deviation of filament centre	mm	max. 1.0 (refers to base axis)



■ Lamp operation

Burning position	s 90	
Maximum pinch temperature	°C	350
Chromaticity	within white boundaries as defined in Annex 14 to the Convention of International Civil Aviation	

¹ Female connector A complies with DIN 46247

² Male connector Z (C) complies with DIN 46248